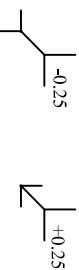
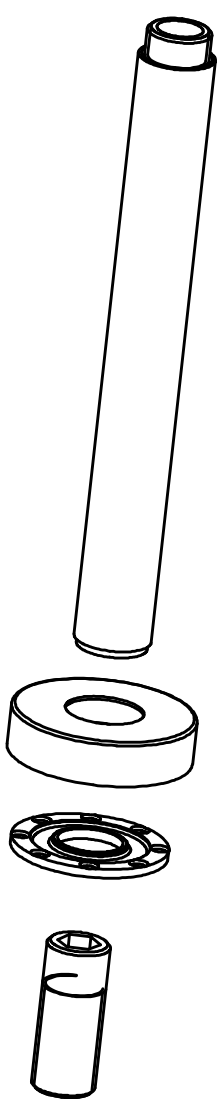
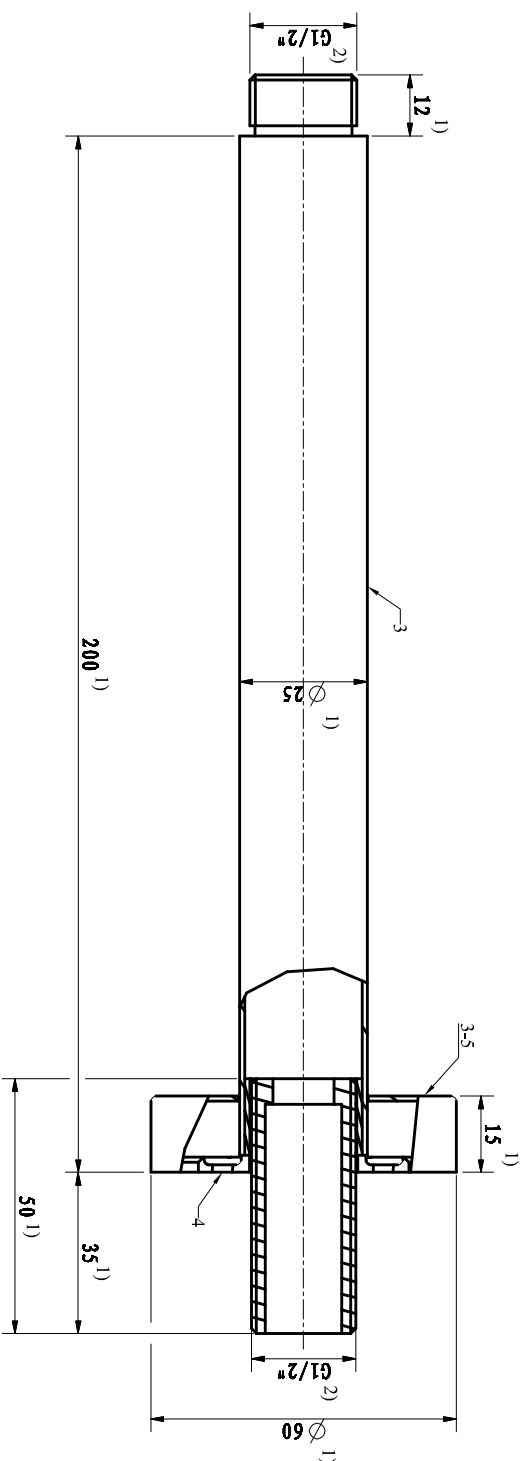


Detalle A. Escala 2:1
Detail A Scale 2:1



Edge without dimensional figures
DIN 6784

* Se sirve con caja timbrada con MC-1724 y etiqueta ET482E

* Served with box stamped with MC-1724 and label ET482E

- 5) Marcar con láser
- 5) Mark with laser
- 4) Aro fijación latón sin cromo
- 4) Wall fixation ring without chrome
- 3) Latón acabado cromo
- 3) Chrome plated brass
- 2) Roscas de acierdo ISO-228
- 2) All threads according to ISO-228
- 1) Medidas orientativas
- 1) Indicative measures

TOLERANCES		SCALE		SURFACE FINISHING/TREATMENT		MATERIAL	
-----		1:1 (approx)		-----		-----	
YEAR	DATE	NAME	YEAR	DATE	NAME		
2015	12-2	M.A.Llabres	2015	12-2	M.A.Llabres		
DRAWN		CHECKED		APPROV.			
04 T20-PP001		12.09.19		Omar S.			
03 T18-PP080		19.07.19		V. tur			
02 T18-PP080		11.06.20		V. tur			
01 3853		08.01.16		V. tur			
00 3748		20.02.15		V. tur			
NOTIFIC.		DATE		NAME			
Vertical shower arm round 200 mm							
SUBS.						SHEET	
SUBS.FOR						790076000-*	
SHEETS						SHEETS	